

Portable Injectable Delivery System

ADVANCING PRECISION IN DRUG DELIVERY

Boréas Technologies introduces a Portable Injectable Delivery System that enhances drug administration accuracy. Using advanced piezo technology, it delivers precise single-dose injections quickly, improving treatment efficacy and user experience. This system prioritizes accuracy and comfort, offering healthcare providers a versatile tool for better treatment protocols.

OVERCOMING PRECISION CHALLENGES IN DRUG DELIVERY

Achieving ultra-precise dosing in injectable drug delivery has been challenging, often leading to under- or over-medication with traditional systems. Reliable, compact devices are needed for consistent dosing without frequent maintenance. Piezo actuators provide a solution, enabling injection systems to deliver medications with exceptional accuracy, rapid response, and fine control, significantly reducing dosing errors.



Smarter, faster, and more precise. Our portable piezo injection system delivers accurate treatments in a compact, reliable design.



ULTRA-PRECISE DOSING

Ensure micropumps deliver precise doses under 0.5µL, sensor-free



ENERGY EFFICIENT

Fits small devices; CapDrive®'s 2.4µA sleep current extends battery life

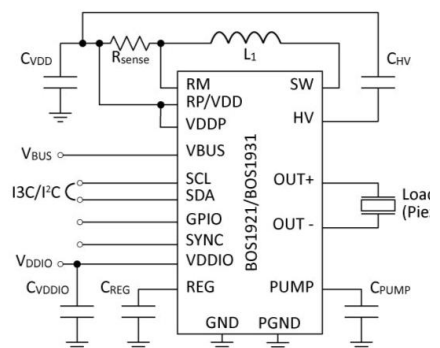


FAST ACTUATION

Enables quick adjustments for optimal medication levels

POWERED BY OUR CAPDRIVE® TECHNOLOGY: BOS1931

- ↳ High-Voltage Low Power Piezo Driver
 - Drives 100 nF at 190 Vpk-pk and 300 Hz while consuming only 350 mW
 - Drives Capacitive Load up to 820 nF
 - Energy Recovery
 - Differential Output
 - Miniature Solution Footprint, WLCSP 2.1x1.7 mm
 - Small Solution Footprint, QFN 4x4 mm
 - Low BOM cost
- ↳ Integrated Digital Front End with I3C/I2C
 - 1024 sample Internal FIFO Interface
 - 1.8V to 5.0V Digital I/O Supply
 - Waveform Synthesizer (WFS)
 - Supports Continuous Waveforms Playback
 - State Retention in SLEEP Mode
- ↳ Fast Start Up Time of Less Than 300 µs
- ↳ Multi-Actuator Synchronization
- ↳ Wide Supply Voltage Range of 3 V to 5.5V



Published by Boréas Technologies - Bromont, Québec, Canada.

© 2024 Boréas Technologies. All Rights Reserved.

Date: 09 / 2024

Please note!

This document is for information purposes only and any information given herein shall in no event be regarded as a warranty, guarantee or description of any functionality, conditions or quality of our products or any suitability for a particular purpose. Please refer to the product datasheet provided by us for the technical specifications of this product. Our customers and their technical departments are required to evaluate the suitability of our products for the intended application. We reserve the right to change this document and/or the information given herein at any time.

Additional information

For further information on technologies, our products, the application of our products, terms and conditions, or prices please contact the Boréas Technologies office by visiting our website at www.boras.ca.